



## **MONAD UNIVERSITY**

Village & Post Kastla, Kasmabad, P.O Pilkhuwa - 245101  
Tehsil Hapur (U.P), India  
Electrical Engineering Department

**Programme:** B. Tech 3<sup>rd</sup> SEM EE

**Course:** Electrical Machine-I

**Course Code:** BTEE-211

**Assignment No:** 1

**Due date of submission:** 10.09.2017

**Instructions:-**

1. Write the responses to the assignment in your own handwriting.
2. Submit the responses to your HOD within the due date.
3. Write your Name, Program and Enrolment No. clearly at the top of this page.

**Que.No.1**

- (a) What do you mean by electromechanical energy conversion system?
- (b) Define energy and co-energy.

**Que.No.2**

- (a) What is singly excited and doubly excited system?

**(b) Define**

- (i) Electromagnetic Torque
- (ii) Generated EMF



# MONAD UNIVERSITY

Village & Post Kastla, Kasmabad, P.O Pilkhuwa - 245101  
Tehsil Hapur (U.P), India  
Electrical Engineering Department

**Programme:** B. Tech 3<sup>rd</sup> SEM EE

**Course:** Electrical Circuit Theory

**Course Code:** BTEE-212

**Assignment No:** 1

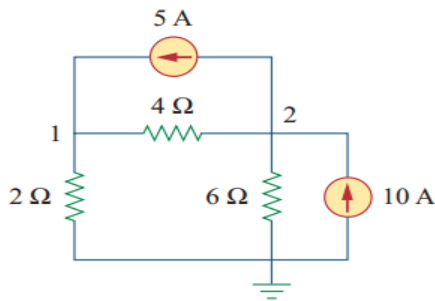
**Due date of submission:** 10.09.2017

**Instructions:-**

1. Write the responses to the assignment in your own handwriting.
2. Submit the responses to your HOD within the due date.
3. Write your Name, Program and Enrolment No. clearly at the top of this page.

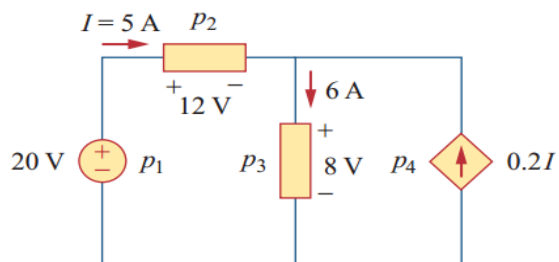
**Que.No.1**

(a) Calculate the node voltages in the circuit shown in fig.



(a)

(b) Calculate the power supplied or absorbed by each element in Fig.



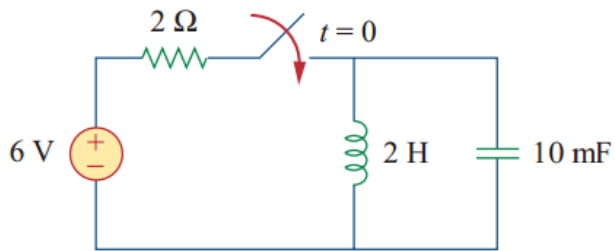


# MONAD UNIVERSITY

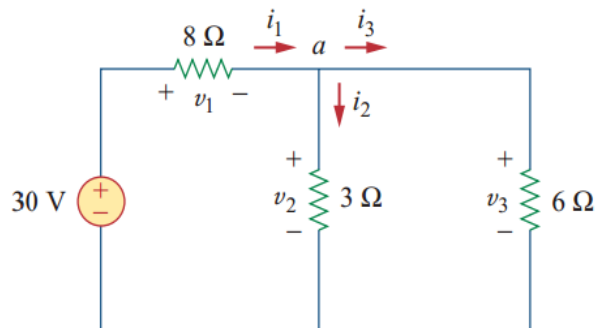
Village & Post Kastla, Kasmabad, P.O Pilkhuwa - 245101  
Tehsil Hapur (U.P), India  
Electrical Engineering Department

## Que.No.2

(a) Construct the dual of the circuit in Fig.



(b) Find currents and voltages in the circuit shown in Fig





## **MONAD UNIVERSITY**

Village & Post Kastla, Kasmabad, P.O Pilkhuwa - 245101

Tehsil Hapur (U.P), India

Electrical Engineering Department

**Programme:** B. Tech 3<sup>rd</sup> SEM EE

**Course:** Electrical Measurement & Measuring Instruments

**Course Code:** BTEE-213

**Assignment No:** 1

**Due date of submission:** 10.09.2017

### **Instructions:-**

1. Write the responses to the assignment in your own handwriting.
2. Submit the responses to your HOD within the due date.
3. Write your Name, Program and Enrolment No. clearly at the top of this page.

### **Que.No.1**

- (a) What is measuring instruments? Explain the various terms of measuring system?
- (b) Explain the electrical measuring instrument in brief?

### **Que.No.2**

- (a) Explain the instrument transformer and their application in brief?
- (b) Define the AC bridges in brief with explanation?



## **MONAD UNIVERSITY**

Village & Post Kastla, Kasmabad, P.O Pilkhuwa - 245101  
Tehsil Hapur (U.P), India  
Electrical Engineering Department

**Programme:** B. Tech 3<sup>rd</sup> SEM EE

**Course:** Digital Electronics

**Course Code:** BTEE-214

**Assignment No:** 1

**Due date of submission:** 10.09.2017

### **Instructions:-**

1. Write the responses to the assignment in your own handwriting.
2. Submit the responses to your HOD within the due date.
3. Write your Name, Program and Enrolment No. clearly at the top of this page.

### **Que.No.1**

- (a) Convert binary number  $(11010.11)_2$  and hexadecimal number  $(B65F)_{16}$  into decimal numbers  $( )_{10}$ .
- (b) Convert octal number  $(673.124)_8$  and hexadecimal number  $(306.D)_{16}$  into binary numbers  $( )_2$ .

### **Que.No.2**

- (a) Calculate the 9's and 10's complement of 546700 and 012398.
- (b) Using 10's complement, subtract 72532-3250 and 3250-72532.



## **MONAD UNIVERSITY**

Village & Post Kastla, Kasmabad, P.O Pilkhuwa - 245101  
Tehsil Hapur (U.P), India  
Electrical Engineering Department

**Programme:** B. Tech 3<sup>rd</sup> SEM EE

**Course:** Essential of management

**Course Code:** BBA-211

**Assignment No:** 1

**Due date of submission:** 10.09.2017

### **Instructions:-**

Write the responses to the assignment in your own handwriting.  
Submit the responses to your HOD within the due date.  
Write your Name, Program and Enrolment No. clearly at the top of this page.

### **Que.No.1**

- (a) What is meant by planning? What is importance of planning in production?
- (b) Write briefly about the functions of management.

### **Que.No.2**

- (a) Labour and management-friends or foes? They cannot be friends because you do not do business with friends .They cannot be foes because they need each other. 'Discuss this statement and its applicability in the Indian context.
- (b) What is missing in the organization relations system that is critical to make it harmonious and productive?