

Programme- Diploma (EE)

Course- Estimation, Costing and Design of Electrical Installation

Course Code- DIPEE-313

Sem-5th Sem

Year-2020-21

Unit-1st (Part 3)

Topic-Wiring Materials and Accessories

Sub Topic- Energy Meter

Faculty-Pawan Kumar Sharma

Department: Electrical Engg.

Email:sharmaps7777@gmail.com



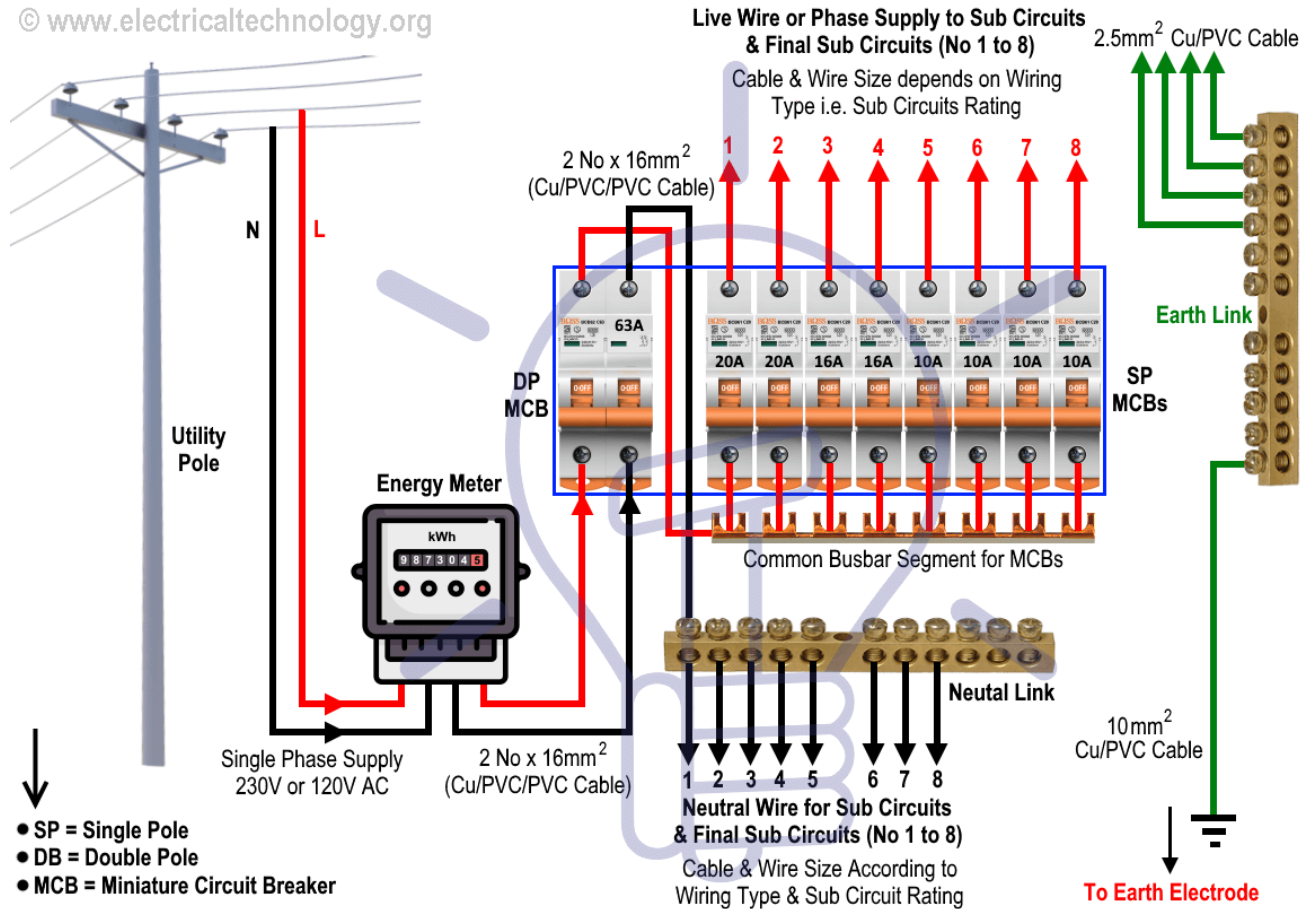
□□□□□□ □□ □□□ □□□□ □□ □□□□□□□□ □□□□ □□ □□□□ □□□□□ □□□□□ □□
□□□□ □ □□ □□□□

□□□□□ □□□□ □□ □□□□□ □□□□□□□□ □□□□ □□□ □□□□ □□□□□ □□□□□,
□□□□□□□□, □□□□□□□ □□ □□□□□□□□, □□□□□□ □□□□ □□ □□□□□□□□, □□□□ □□□□□□□□
□ □□□□□□□, □□□□ □□□□□□□□□□ □□ □□□□□□□ □□□□ □□□□ □□□□

□□□□□□□:- **1. 5 A 250 V 50 Hz** □□□□□□□ □□□□□□□□ □□ □□□□□ **A. C.** □□□□□□
□□□□□ **ECE** □□□□□□□□ □s □□□□□□□□□□

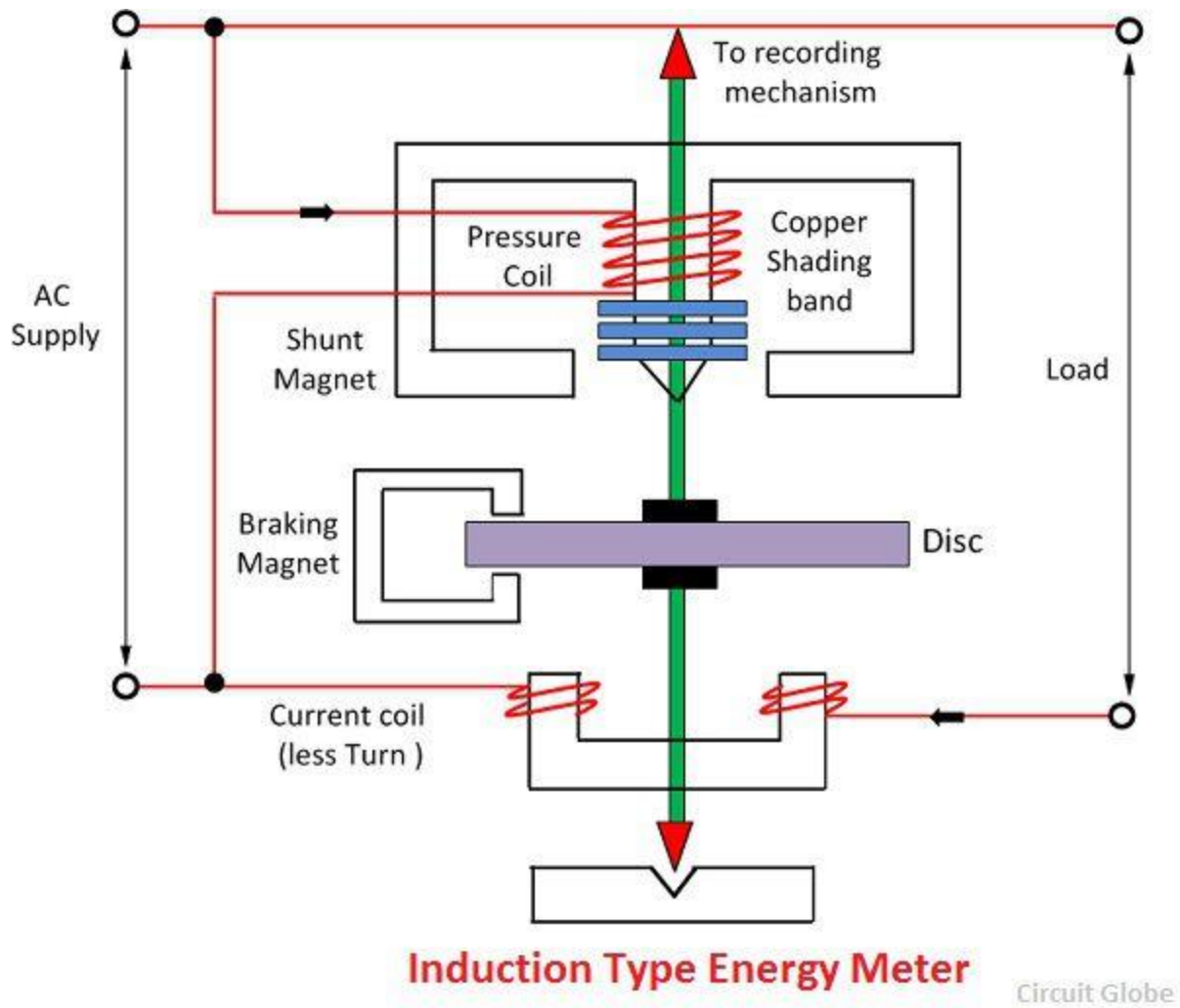
2. 10 A 450 V 50 Hz □□□□□ □□□□ □□□□ □□□□□□□□□ □□□□□ □□□□ □□□□
□□□□□□□ □□□□□□□□ □s □□□□□□□□□□

3. 15 A 450 V 50 Hz, A.C. □□□□ □□□□ □□□ □□□ □□□□□□□□ □□□□ □□□□
□□□□□□□□ □□□□□□□□ □□□□ □□□□ □□□□□ □□□□□ □□□□□ **ECE** □□□□□□□□ □s
□□□□□□□□□□



- SP = Single Pole
- DB = Double Pole
- MCB = Miniature Circuit Breaker

Wiring of the Distribution Board (Single Phase Supply) (From Utility Pole & Energy Meter to the Consumer Unit)



Reference:

1. <https://circuitglobe.com/energy-meter.html>
2. <https://www.electricaltechnology.org/2013/05/wiring-of-distribution-board-single.html>
3. Help Book "Electrical Design drawing & Estimation "Part -1 Asian Publication Mujaffarnagar.-251001.